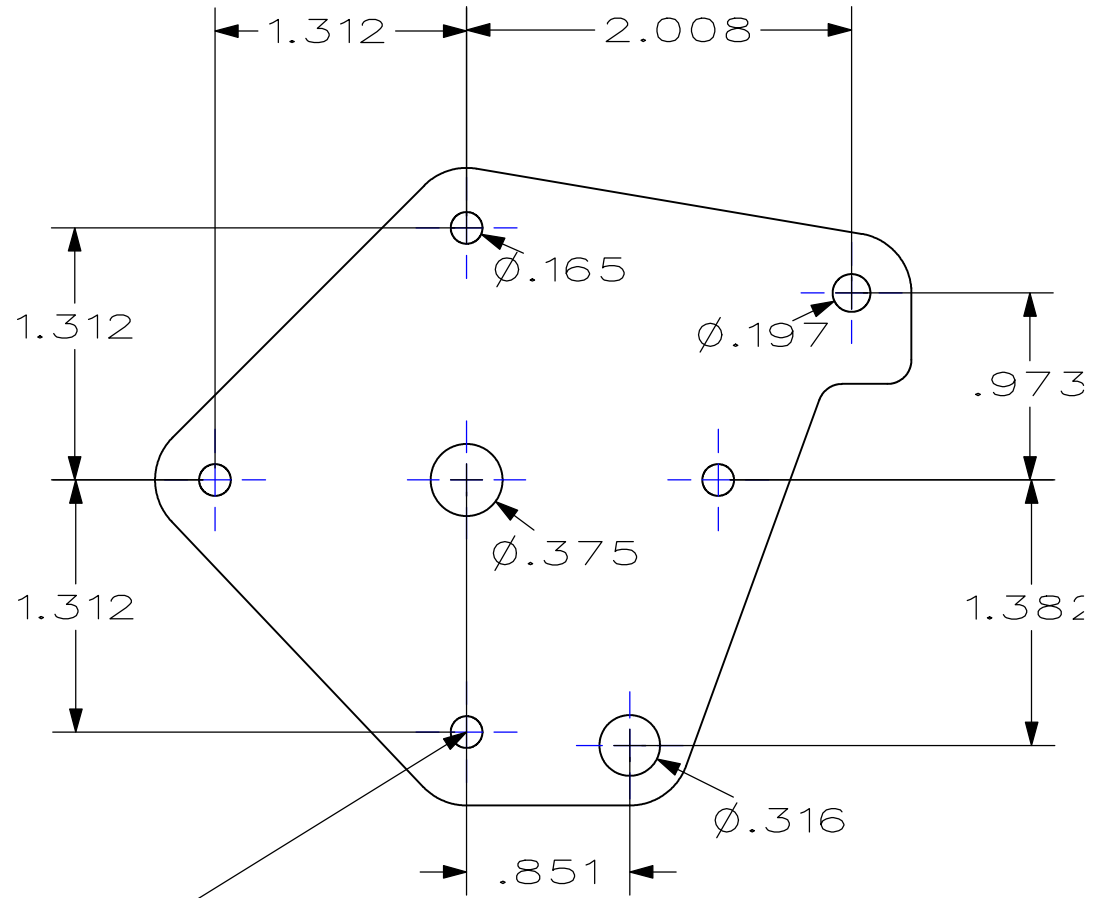
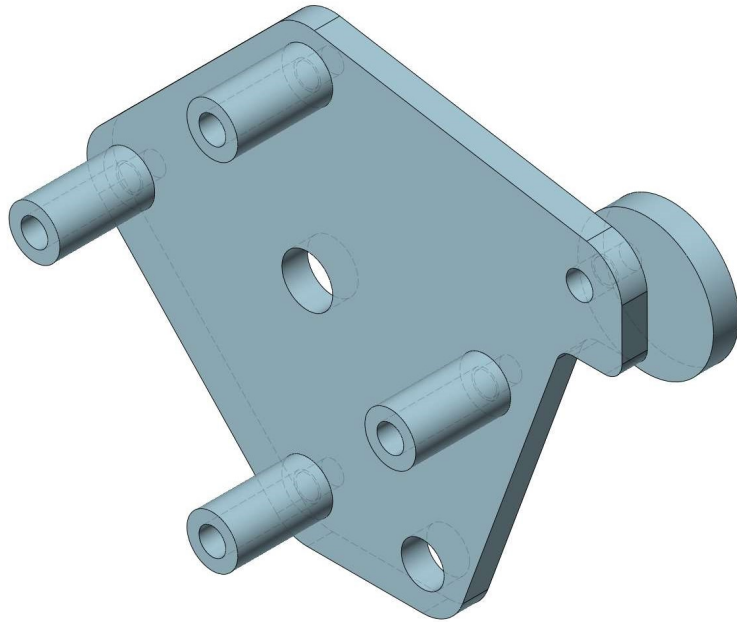
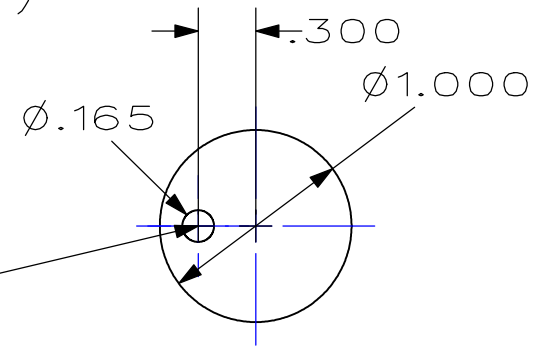
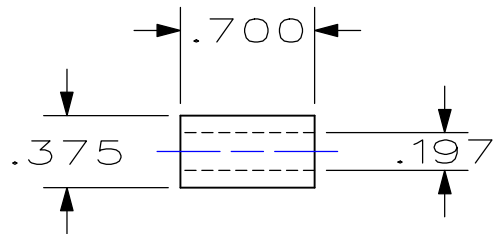


Mini Lathe Power Feed
Mount for NEMA 23 Stepper
www.elliottmade.com

Use 3/16" or 1/4" plate



#19 Drill Tap M5 (x4)



#19 Drill Tap M5